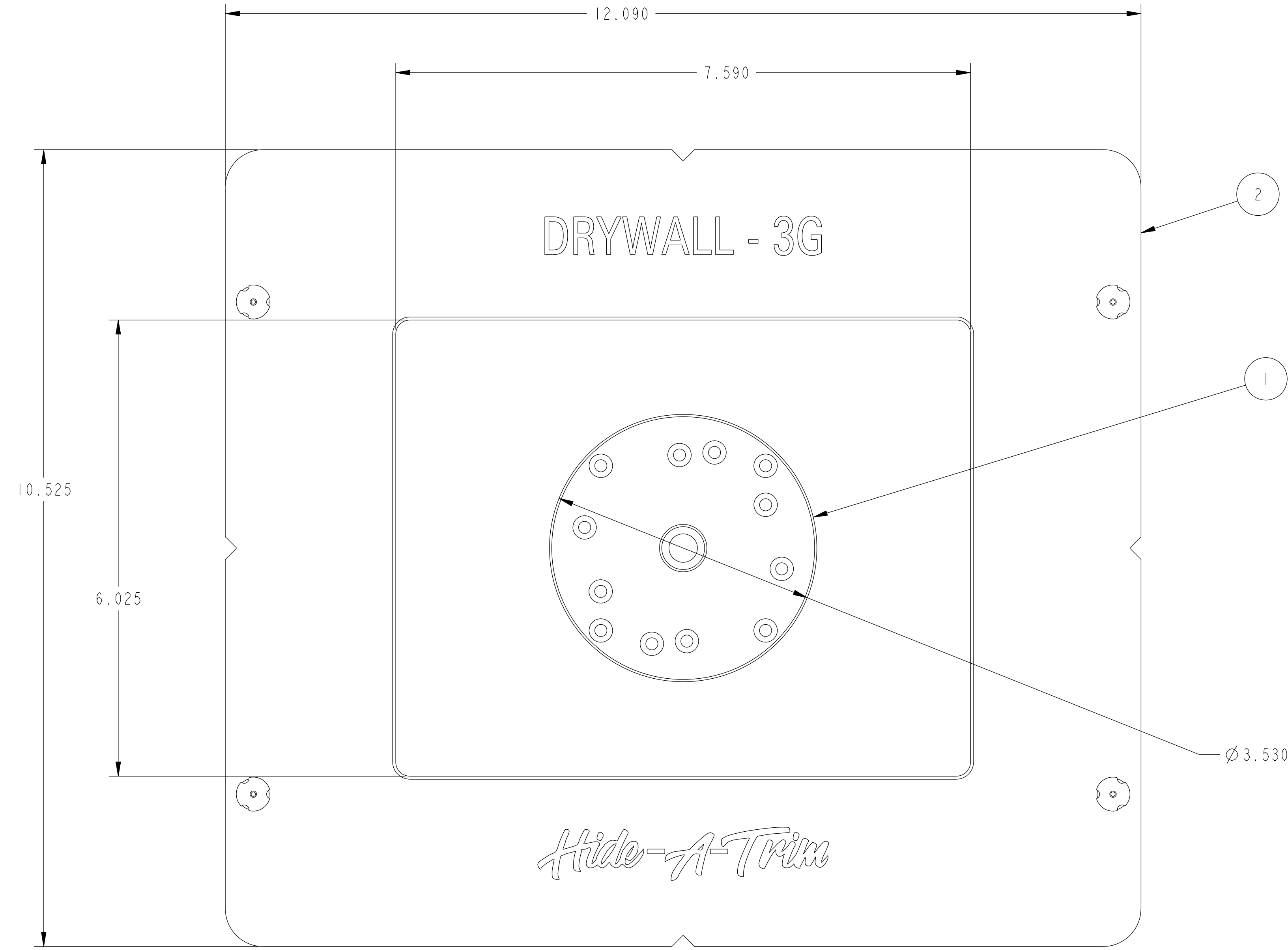


| REVISIONS |     |             |      |       |
|-----------|-----|-------------|------|-------|
| REV       | ECN | DESCRIPTION | DATE | APP'D |
|           |     |             |      |       |



NOTES:  
1. ALL DIMENSIONS SHOWN ARE NOMINAL DIMENSIONS.

**PROPRIETARY NOTICE**

THIS DOCUMENT IS THE PROPERTY OF NASSCO PRODUCTS LLC AND CONTAINS TRADE SECRETS. IT IS DELIVERED TO YOU IN CONFIDENCE AND IS NOT TO BE DISCLOSED TO OTHERS, COPIED (IN WHOLE OR IN PART), AND SHALL NOT BE USED FOR ANY PURPOSE EXCEPT IN THE MANUFACTURE OF ITEMS BY YOU FOR NASSCO PRODUCTS LLC.

|                      |   |                           |             |  |                |                                 |
|----------------------|---|---------------------------|-------------|--|----------------|---------------------------------|
| MATERIAL<br>--<br>-- | DO NOT SCALE DRAWING. DIMENSIONS ARE IN INCHES, UNLESS OTHERWISE SPECIFIED:<br><br>SURFACE FINISH WHERE SHOWN<br>BREAK SHARP EDGES .003-.015<br>DWG INTERPRETATIONS PER ASME Y14.5M | APPROVALS                 | DATE        | NASSCO PRODUCTS LLC<br>FT. LAUDERDALE, FLORIDA |                |                                 |
| CASTING NO.<br>--    |   | DRAWN <i>N. Rosenblum</i> | 09-FEB-2021 | TITLE  |                |                                 |
| FORGING NO.<br>--    |   | CHECKED                   |             | ROUTER TEMPLATE ASSY, 3G-STD                   |                |                                 |
| OTHER DOCUMENTS      |   | PROJ ENGR                 |             | SIZE   | CODE IDENT NO  | DWG NO.                         |
|                      |   | MAT'L ENGR                |             | D  |                | HAT-ROUTER-TEMPLATE-ASSY-3G-STD |
|                      | MFG ENGR  |                           | SCALE 1.000 | CALC. WT.                                      | REV. WT.       |                                 |
|                      | APP'D ENGR  |                           |             |  | SHEET 32 OF 36 |                                 |

| ITEM | QTY | PART NUMBER                | DESCRIPTION               | REV |
|------|-----|----------------------------|---------------------------|-----|
| 2    | 1   | HAT-ROUTER-TEMPLATE-3G-STD | ROUTER TEMPLATE, 3G - STD | 1R  |
| 1    | 1   | HAT-ROUTER-BASE            | ROUTER BASE               | 1R  |