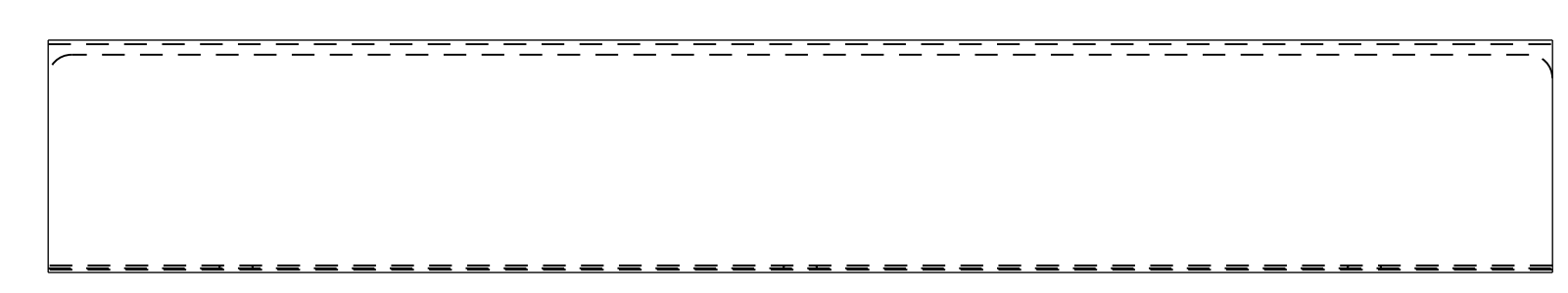
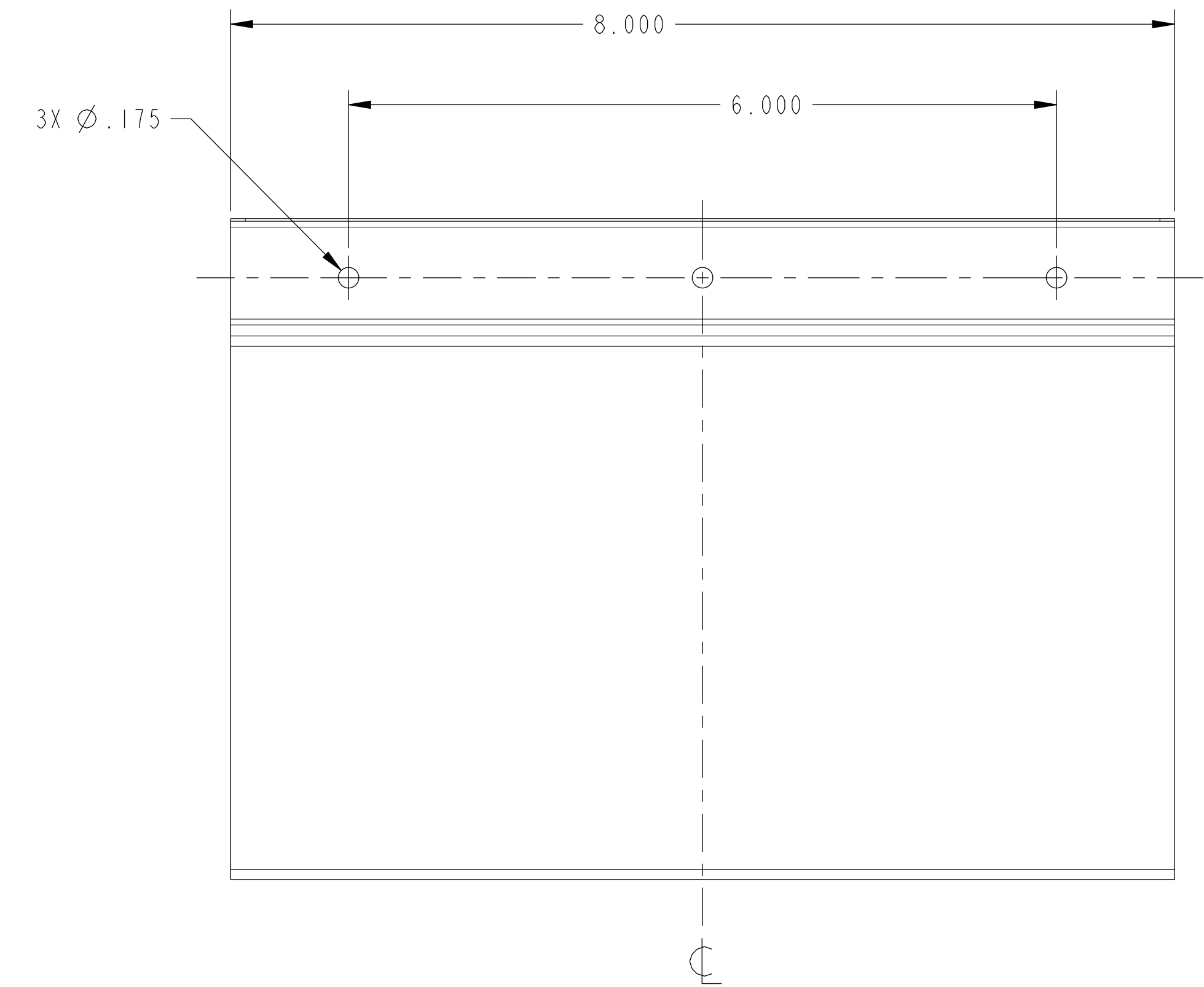
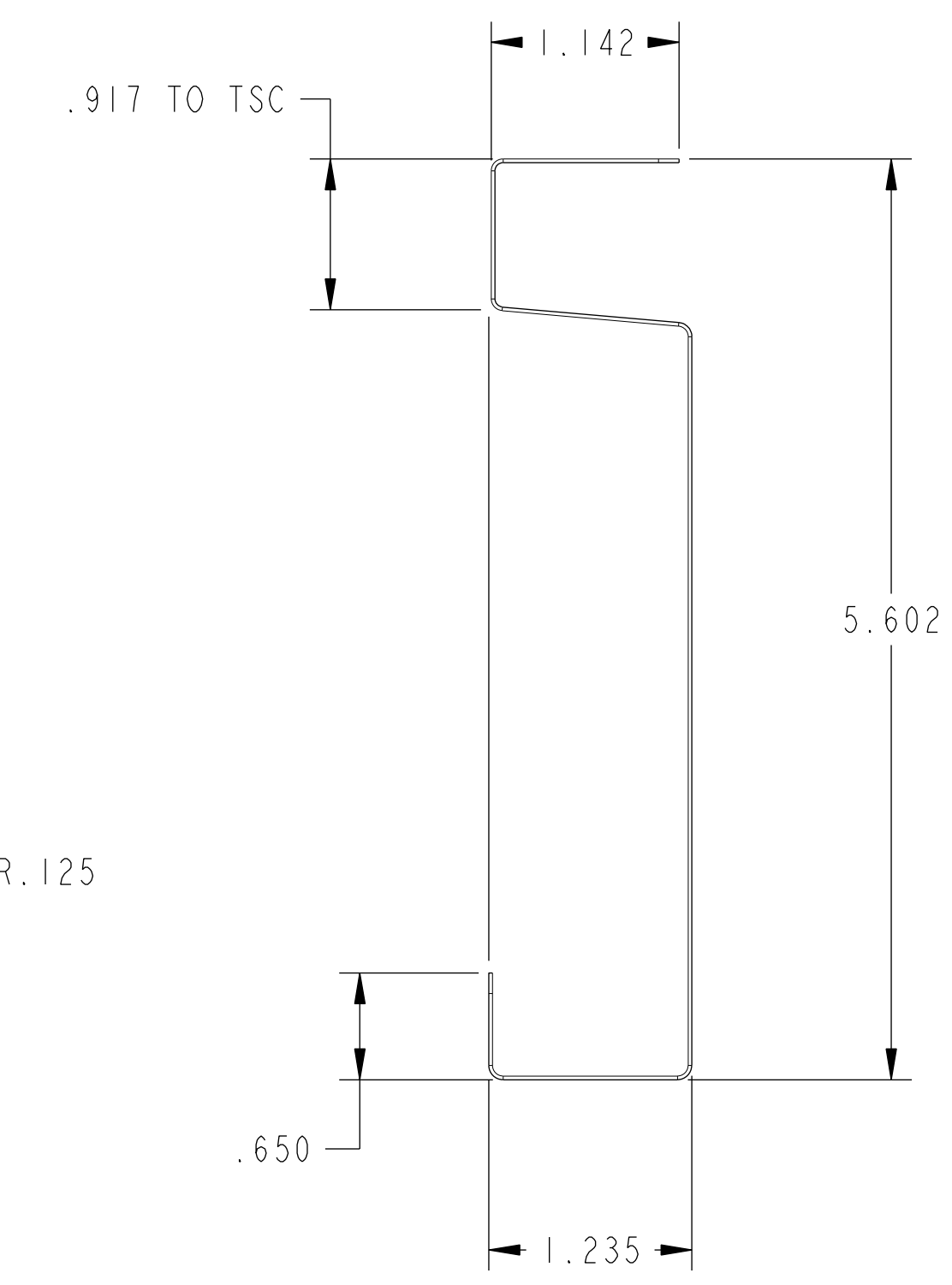


REVISIONS				
REV	ECN	DESCRIPTION	DATE	APP'D



NOTES:
 1. ALL DIMENSIONS SHOWN ARE NOMINAL DIMENSIONS.

PROPRIETARY NOTICE

THIS DOCUMENT IS THE PROPERTY OF NASSCO PRODUCTS LLC AND CONTAINS TRADE SECRETS. IT IS DELIVERED TO YOU IN CONFIDENCE AND IS NOT TO BE DISCLOSED TO OTHERS, COPIED (IN WHOLE OR IN PART), AND SHALL NOT BE USED FOR ANY PURPOSE EXCEPT IN THE MANUFACTURE OF ITEMS BY YOU FOR NASSCO PRODUCTS LLC.

MATERIAL GALVANIZED	DO NOT SCALE DRAWING. DIMENSIONS ARE IN INCHES. UNLESS OTHERWISE SPECIFIED:	APPROVALS	DATE	NASSCO PRODUCTS LLC FT. LAUDERDALE, FLORIDA	
CASTING NO. --	SURFACE FINISH WHERE SHOWN BREAK SHARP EDGES .003-.015 DWG INTERPRETATIONS PER ASME Y14.5M	DRAWN	<i>N. Rosenblum</i>	<i>20 MAY 2019</i>	TITLE STUD CLIP 2X6, FORMED
FORGING NO. --		CHECKED			
OTHER DOCUMENTS		PROJ ENGR			
		MAT'L ENGR			
		MFG ENGR			
		APP'D ENGR			SIZE D
		APP'D ENGR			CODE IDENT NO
					DWG NO. HAT-STUD-CLIP2X6-FORMED
					REV. B
					SCALE 1.000
					CALC. WT. ACT. WT. SHEET 27 OF 36