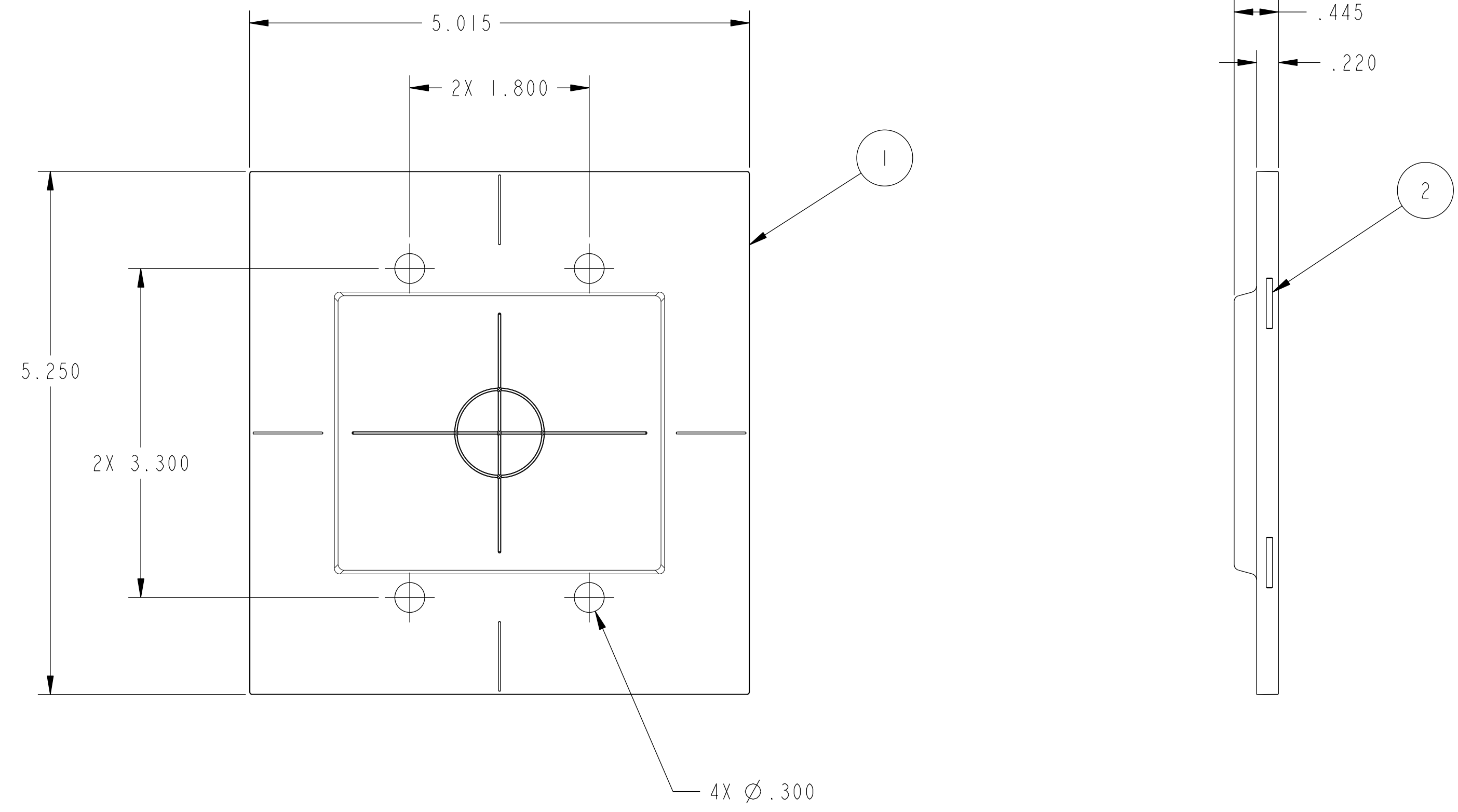


REVISIONS				
REV	ECN	DESCRIPTION	DATE	APP'D



NOTES:  
1. ALL DIMENSIONS SHOWN ARE NOMINAL DIMENSIONS.

**PROPRIETARY NOTICE**  
THIS DOCUMENT IS THE PROPERTY OF NASSCO PRODUCTS LLC AND CONTAINS TRADE SECRETS. IT IS DELIVERED TO YOU IN CONFIDENCE AND IS NOT TO BE DISCLOSED TO OTHERS, COPIED (IN WHOLE OR IN PART), AND SHALL NOT BE USED FOR ANY PURPOSE EXCEPT IN THE MANUFACTURE OF ITEMS BY YOU FOR NASSCO PRODUCTS LLC.

MATERIAL -- --	DO NOT SCALE DRAWING. DIMENSIONS ARE IN INCHES. UNLESS OTHERWISE SPECIFIED:  SURFACE FINISH WHERE SHOWN BREAK SHARP EDGES .003-.015 DWG INTERPRETATIONS PER ASME Y14.5M	APPROVALS	DATE	<b>NASSCO PRODUCTS LLC</b> FT. LAUDERDALE, FLORIDA  TITLE <b>PROTECTION PLATE ASSY, 2G</b>
CASTING NO. --		DRAWN <i>N. Rosenblum</i>	20 MAY 2019	
FORGING NO. --		CHECKED		
OTHER DOCUMENTS		PROJ ENGR		
		MAT'L ENGR		
	MFG ENGR			
	APP'D ENGR		SIZE D CODE IDENT NO DWG NO. HAT-PROTECTPLT-ASSY-2G SCALE 1.000	
	APP'D ENGR		REV. 1 R SHEET 23 OF 36	

ITEM	QTY	PART NUMBER	DESCRIPTION	REV
2	8	D81	1/2" DIA X 1/16" THK NEODYMIUM MAGNET	--
1	1	HAT-PROTECTPLT-2G	PROTECTION PLATE, 2G	A