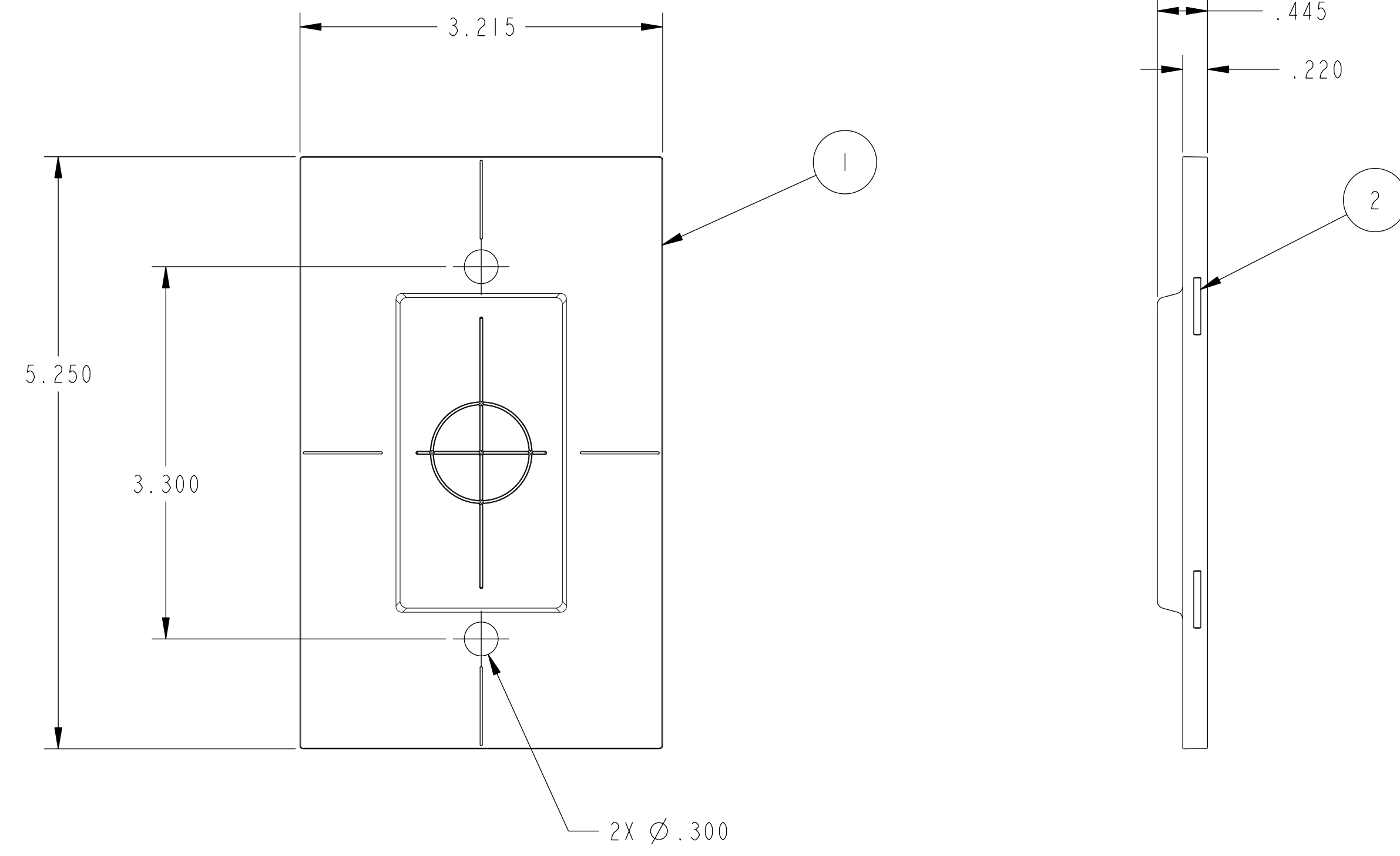


| REVISIONS | | | | |
|-----------|-----|-------------|------|-------|
| REV | ECN | DESCRIPTION | DATE | APP'D |



NOTES:
 1. ALL DIMENSIONS SHOWN ARE NOMINAL DIMENSIONS.

PROPRIETARY NOTICE

THIS DOCUMENT IS THE PROPERTY OF NASSCO PRODUCTS LLC AND CONTAINS TRADE SECRETS. IT IS DELIVERED TO YOU IN CONFIDENCE AND IS NOT TO BE DISCLOSED TO OTHERS, COPIED (IN WHOLE OR IN PART), AND SHALL NOT BE USED FOR ANY PURPOSE EXCEPT IN THE MANUFACTURE OF ITEMS BY YOU FOR NASSCO PRODUCTS LLC.

| | | | | |
|----------------------|---|---------------------------|--------------------|---|
| MATERIAL -- -- | DO NOT SCALE DRAWING. DIMENSIONS ARE IN INCHES, UNLESS OTHERWISE SPECIFIED: SURFACE FINISH WHERE SHOWN BREAK SHARP EDGES .003-.015 DWG INTERPRETATIONS PER ASME Y14.5M | APPROVALS | DATE | NASSCO PRODUCTS LLC FT. LAUDERDALE, FLORIDA PROTECTION PLATE ASSY, IG |
| CASTING NO. -- | | DRAWN <i>N. Rosenblum</i> | 20 MAY 2019 | |
| FORGING NO. -- | | CHECKED | | |
| OTHER DOCUMENTS | | PROJ ENGR | | |
| | | MAT'L ENGR | | |
| | MFG ENGR | | | |
| | APP'D ENGR | | | |
| | APP'D ENGR | | | |
| | | SIZE D | CODE IDENT NO | DWG NO. HAT-PROTECTPLT-ASSY-IG |
| | | SCALE 1.000 | CALC. WT. REV. WT. | SHEET 20 OF 36 |

| ITEM | QTY | PART NUMBER | DESCRIPTION | REV |
|------|-----|-------------------|---------------------------------------|-----|
| 2 | 6 | D81 | 1/2" DIA X 1/16" THK NEODYMIUM MAGNET | -- |
| 1 | 1 | HAT-PROTECTPLT-IG | PROTECTION PLATE, IG | A |