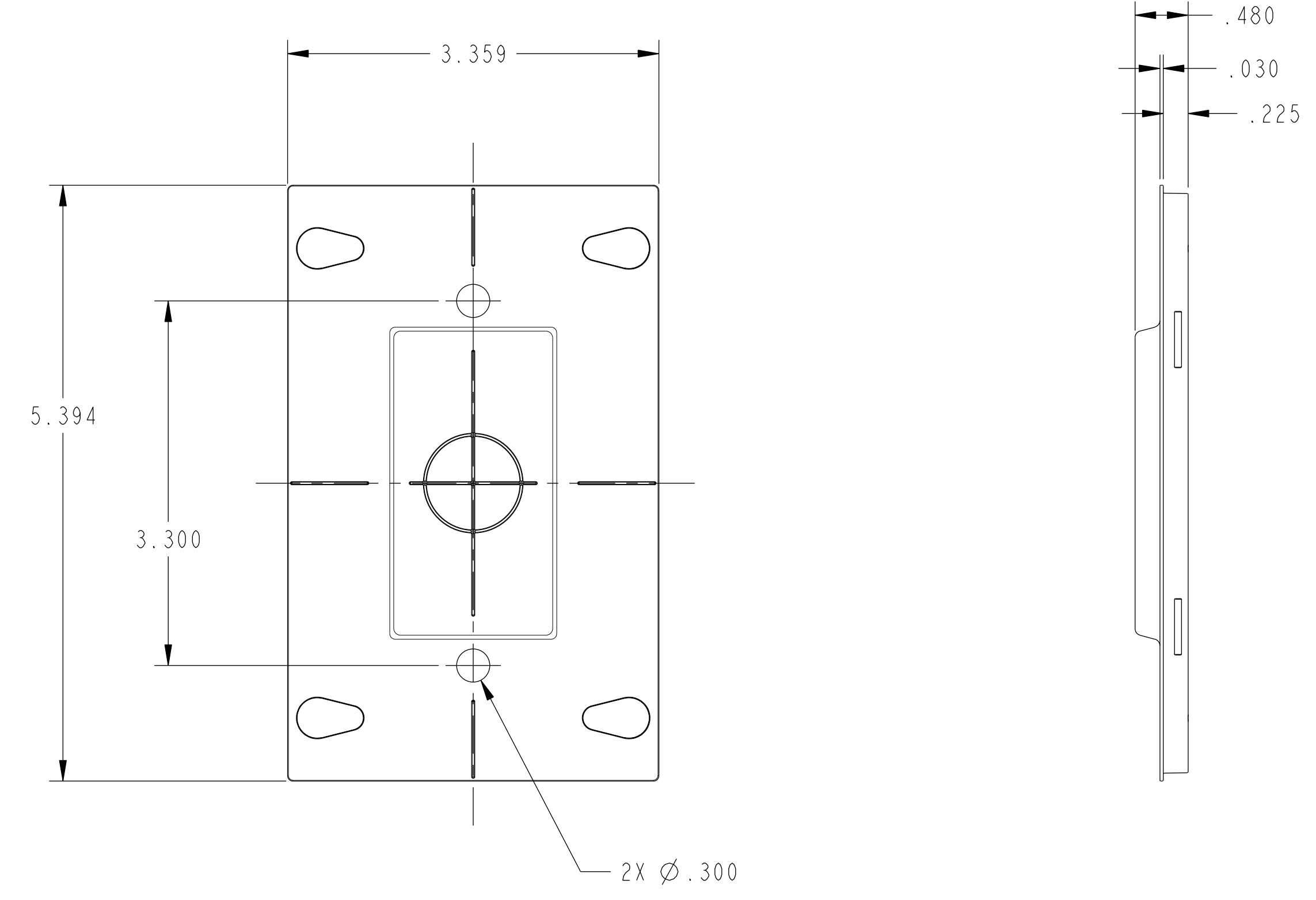


Pro/E filename: ARCHITECTURAL_DIM_DRAWINGS
 Software Rev. Wildfire 5.0_M060

DWG NO: HAT-PROTECTPLT-ASSY-IG-ADJ-HS SH 21 REV. 1 R

REVISIONS				
REV	ECN	DESCRIPTION	DATE	APP'D



NOTES:
 1. ALL DIMENSIONS SHOWN ARE NOMINAL DIMENSIONS.

PROPRIETARY NOTICE
 THIS DOCUMENT IS THE PROPERTY OF NASSCO PRODUCTS LLC AND CONTAINS TRADE SECRETS. IT IS DELIVERED TO YOU IN CONFIDENCE AND IS NOT TO BE DISCLOSED TO OTHERS, COPIED (IN WHOLE OR IN PART), AND SHALL NOT BE USED FOR ANY PURPOSE EXCEPT IN THE MANUFACTURE OF ITEMS BY YOU FOR NASSCO PRODUCTS LLC.

MATERIAL -- --	DO NOT SCALE DRAWING. DIMENSIONS ARE IN INCHES. UNLESS OTHERWISE SPECIFIED: SURFACE FINISH WHERE SHOWN BREAK SHARP EDGES .003-.015 DWG INTERPRETATIONS PER ASME Y14.5M	APPROVALS	DATE	NASSCO PRODUCTS LLC FT. LAUDERDALE, FLORIDA				
CASTING NO. --		DRAWN <i>N. Rosenblum</i>	20 MAY 2019	TITLE				
FORGING NO. --		CHECKED		PROTECTION PLATE ASSY IG ADJ HS				
OTHER DOCUMENTS		PROJ ENGR			SIZE	CODE IDENT NO	DWG NO	REV.
		MAT'L ENGR			D		HAT-PROTECTPLT-ASSY-IG-ADJ-HS	1 R
	MFG ENGR			SCALE 1.000	CALC. WT.	ACT. WT.	SHEET 21 OF 36	

ITEM	QTY	PART NUMBER	DESCRIPTION	REV
2	6	D81	1/2" DIA X 1/16" THK NEODYMIUM MAGNET	--
1	1	HAT-PROTECTPLT-IG-HS	PROTECTION PLATE, IG - HS	A