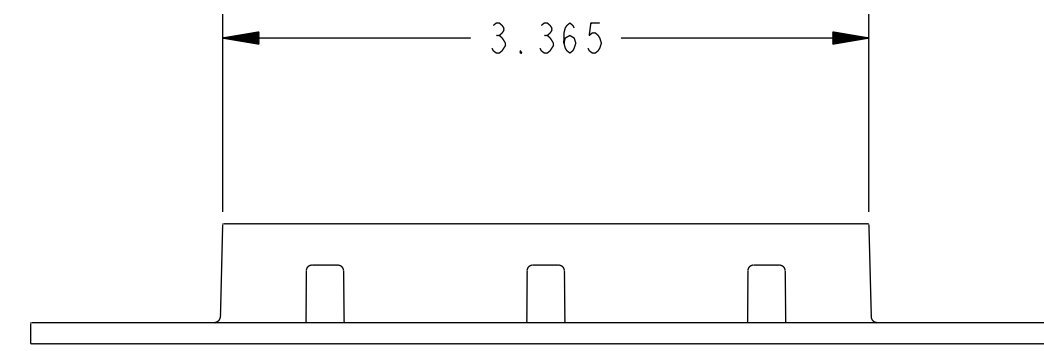
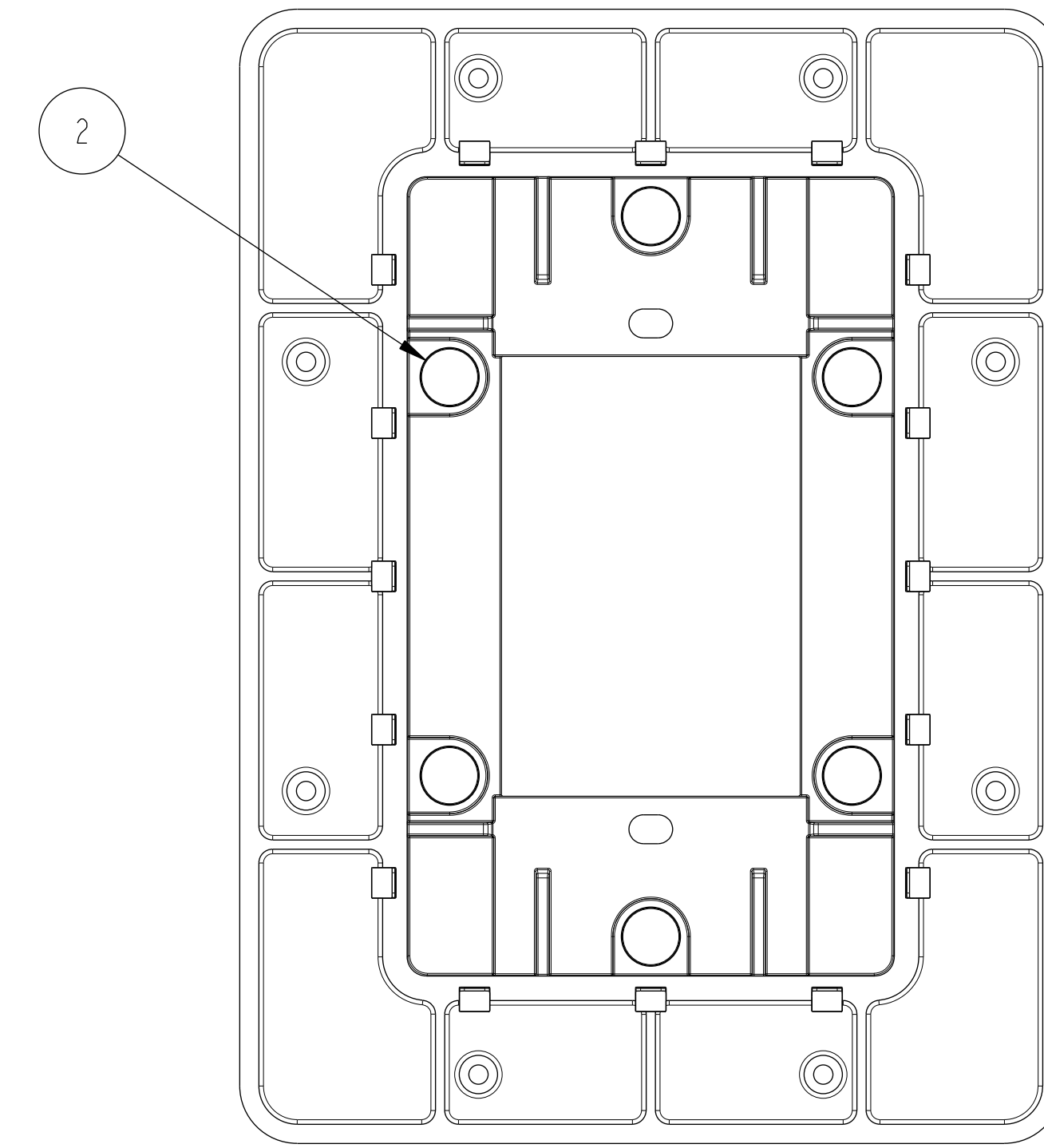
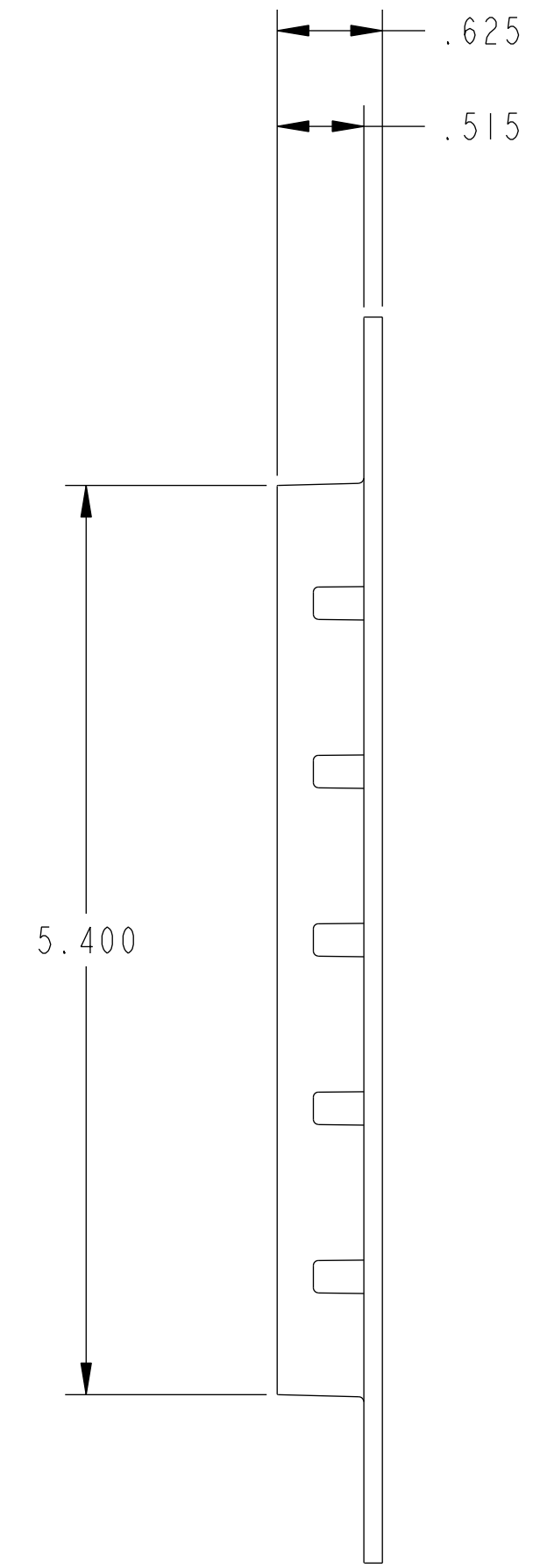
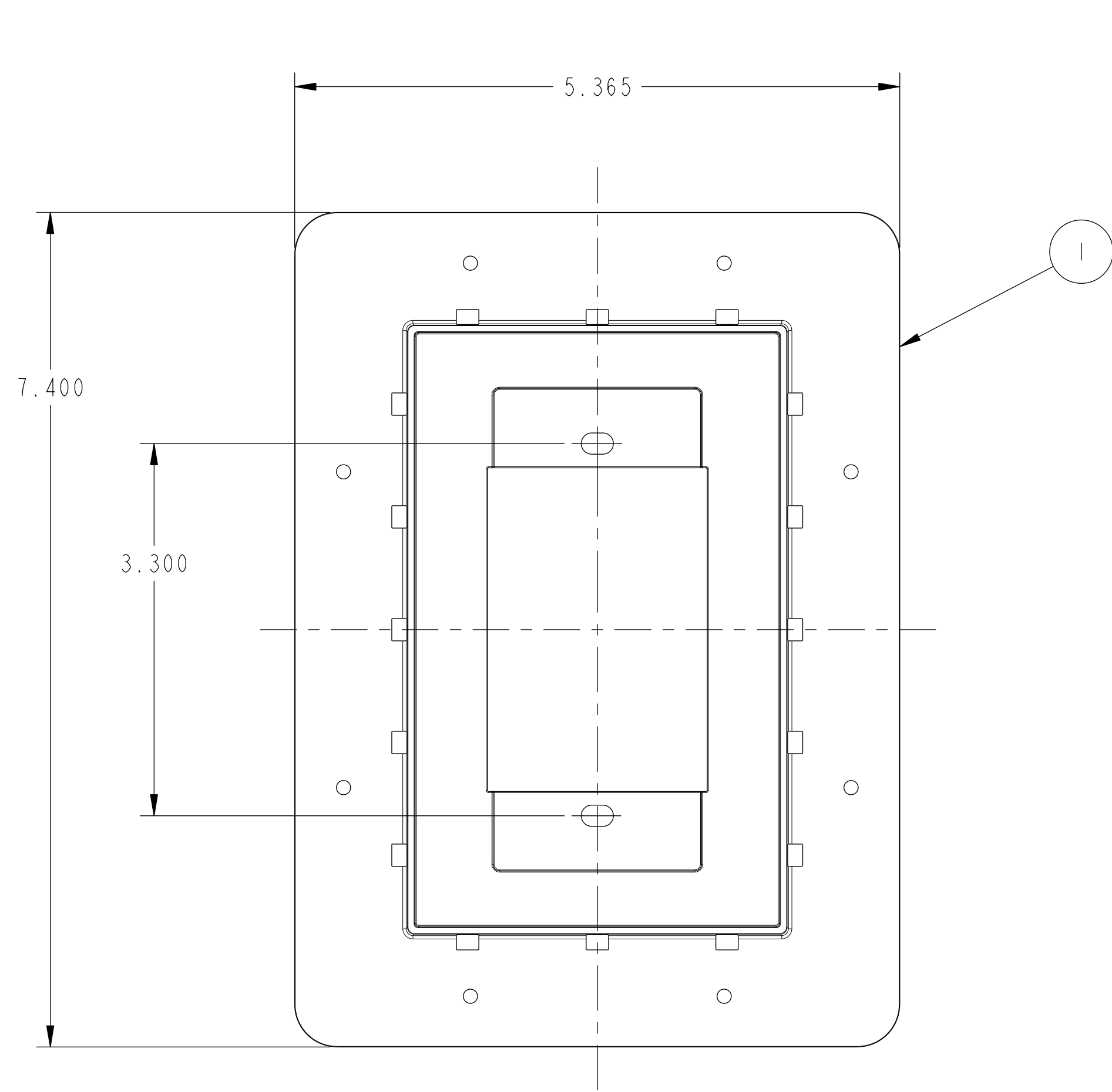


REVISIONS				
REV	ECN	DESCRIPTION	DATE	APP'D



NOTES:
1. ALL DIMENSIONS SHOWN ARE NOMINAL DIMENSIONS.

PROPRIETARY NOTICE
THIS DOCUMENT IS THE PROPERTY OF NASSCO PRODUCTS LLC AND CONTAINS TRADE SECRETS. IT IS DELIVERED TO YOU IN CONFIDENCE AND IS NOT TO BE DISCLOSED TO OTHERS, COPIED (IN WHOLE OR IN PART), AND SHALL NOT BE USED FOR ANY PURPOSE EXCEPT IN THE MANUFACTURE OF ITEMS BY YOU FOR NASSCO PRODUCTS LLC.

MATERIAL --	DO NOT SCALE DRAWING. DIMENSIONS ARE IN INCHES. UNLESS OTHERWISE SPECIFIED: SURFACE FINISH WHERE SHOWN BREAK SHARP EDGES .003-.015 DWG INTERPRETATIONS PER ASME Y14.5M	APPROVALS	DATE	NASSCO PRODUCTS LLC FT. LAUDERDALE, FLORIDA			
CASTING NO. --		DRAWN <i>N. Rosenblum</i>	20 MAY 2019	TITLE			
FORGING NO. --		CHECKED		BASEPLATE ASSY, 500 IG STD			
OTHER DOCUMENTS		PROJ ENGR		SIZE	CODE IDENT NO	DWG NO.	REV.
		MAT'L ENGR		D		HAT-BASEPLT-ASSY-500-IG-STD	A
	MFG ENGR		SCALE 1.000	CALC. WT.	NET. WT.	SHEET 1 OF 36	
		APP'D ENGR					

ITEM	QTY	PART NUMBER	DESCRIPTION	REV
2	6	D63	3/8" DIA X 3/16" THK NEODYMIUM MAGNET	--
1	1	HAT-BP-500-IG-STD	BASEPLATE, IG STD - .500 THK DW	A